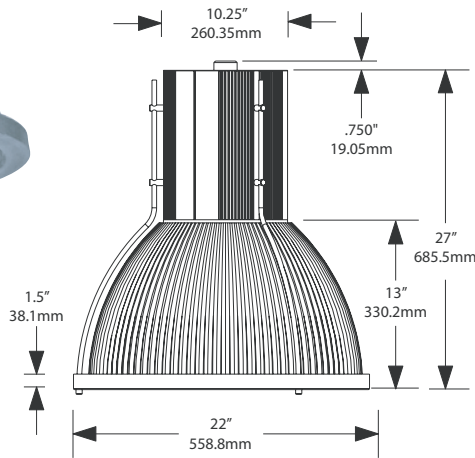


# HB High Bay



DIFFUSER / PROTECTION



### LUMENS / POWER CONSUMPTION

MODEL LED ENGINE	SLI-1000	SLI-1500	SLI-2500	SLI-4000
Cool White	5,369	7,158	12,339	15,424
Daylight White	4,563	6,084	10,488	13,110
Warm White	4,107	5,476	9,440	11,800
WATTS	65	86	115	230
REPLACES	100w MH / 500w INC	150w MH / 1,000 W INC	250w MH	400w MH

ORDERING LOGIC EXAMPLE: SLIHB-1000-DMX-DW-10/40-D-P-S

MODEL	LED LIGHT ENGINE	DIMMING	COLOR TEMP.	BEAM ANGLE	DIFFUSER	MOUNTING	FINISH
<input type="text"/> <b>SLI HB-</b> High Bay Industrial Light Fixture	<input type="text"/> <b>1000</b> – 64 WATT <b>1500</b> – 85 WATT <b>2500</b> – 162 WATTLED's <b>4000</b> – 202 WATT (Daylight White Only)	<input type="text"/> <b>DMX</b> - DMX dimming (optional)	<input type="text"/> <b>CW</b> – Cool White 6500K <b>DW</b> – Daylight White 4500K <b>WW</b> – Warm White 3500K	<input type="text"/> <b>10</b> – 10° <b>40</b> – 40° <b>10/40</b> - 10/40° <b>120</b> - 120° <b>*12</b> – 12° <b>*35</b> - 35°	<input type="text"/> <b>D</b> – Diffuser (optional)	<input type="text"/> <b>P</b> – Ceiling Post Mount (Standard) <b>C</b> – Cable Suspension	<input type="text"/> <b>S</b> – Silver Anodized Aluminium Alloy (Standard) <b>H</b> – Hard Anodizing <b>C</b> – Custom Colors Available

PROJECT : \_\_\_\_\_

TYPE: \_\_\_\_\_

### DESCRIPTION

SLI Inc.'s High Bay Fixtures are a designer set of luminaries featuring a clear prismatic acrylic reflector and a spun stainless beauty ring for contemporary, clean design.

Designed for retail, commercial, and warehouse interiors, SLI Inc.'s High Bay upper enclosure housing consists of extruded aluminum that provides physical and thermal component protection. Standard reflectors produce a soft, diffused area glow with 15% - 20% uplight. A heavy duty hook is included for ceiling mounting. Optional cable suspension materials are available.

IP65 optional on custom orders only.

### SPECIFICATIONS

- Materials:** Body is aluminum alloy, hardware is stainless steel. Diffuser optional.
- Finish:** Silver anodized aluminum alloy. Custom colors available.
- Voltage:** Universal 120 - 277VAC with standard .24VDC output
- Lamp Life:** 70% lumen maintenance at 50,000 hours, 25C
- Beam Angles:** SLI-1000, SLI-1500 = 10° / 40° / 10x40° / 120°  
SLI-2500, SLI-4000 = 12° / 35° / 120°
- Dimming:** Optional dimmable interface available
- Dimensions:** 22" diameter, 27" tall, 1.5" spill ring
- Mounting:** Ceiling post mount/canopy. Cable suspension optional.
- Weight:** 24 lbs.
- Warranty:** 5 years limited parts

Powered by Affineon

