



601067-90



SLI's Low Power Commercial Luminaire is the first truly engineered commercial grade LED troffer designed to replace fluorescent fixtures of much higher wattage classes. The 601067 delivers evenly distributed horizontal and vertical foot-candles ideally suited for typical work spaces and utility areas. The fully integrated light engine and driver make the 601067 the most cost effective commercially viable solution available on the market today. The all steel housing and light engine thermal chassis ensures long LED life with extended lumen maintenance and virtually zero fixture maintenance. The 601067 housing, chassis, and lens are guaranteed for life.

FEATURES

- > 60,000 Hour Lumen Maintenance
- High-Reliability LED Sources
- High-Reliability LED Drivers
- Exceptional Output Efficiency
- Rugged Construction
- Wide Operational Temperature

SPECIFICATIONS

- Universal Input Voltage (90 - 264 VAC)
- Total Input Power: 75 Watts
- Dimensions: 24" L X 24" W X 3-3/4" H
- Recessed Ceiling Mount
- 25 Fc @ 8' on axis (90 degrees)
- 67 Watts Output Power (6,000 lumens)

BENEFITS

- Zero Maintenance Required
- Low Cost of Ownership
- High Efficiency Light Output
- Fast & Easy Installation
- 5 Year Limited Warranty on LEDs & Driver, Limited Lifetime Warranty on Housing & Lens

CONTACT INFORMATION



Critical Applications: Dynazign products are not authorized for use in life saving or life support systems, equipment used in hazardous environments, or nuclear control systems without the written consent of an officer of Dynazign, Inc.

All specifications are subject to change without notice.

**INPUT SPECIFICATIONS**

| PARAMETER       | CONDITIONS                             | MIN  | NOM     | MAX  | UNITS |
|-----------------|--|------|---------|------|-------|
| Voltage         | Continuous                             | 90   | 120/240 | 264  | VAC   |
| Frequency       |  | 47   | 60      | 63   | Hz    |
| Current         | Min at 240VAC, Max at 115VAC           | 1.75 |         | 2.76 | A     |
| Leakage Current | To GROUND at 240VAC                    |      | 1.25    |      | mA    |
| Connection      | Flying Leads: Blue-Neutral, Brown-Line |      |         |      |       |
| Input Power     |  |      | 75      |      | W     |

**OUTPUT SPECIFICATIONS**

| PARAMETER     | CONDITIONS                                | MIN  | NOM  | MAX  | UNITS |
|---------------|---|------|------|------|-------|
| System Lumens | Total calculated based on configuration   | 6000 | 5700 | 5940 | lm    |
| Mean Lumens   | Expected after thermal and optical losses | 4860 | 5130 | 5346 | lm    |
| Output Power  | Calculated at 350mA driver current        | 53.6 | 66.2 | 83.8 | W     |

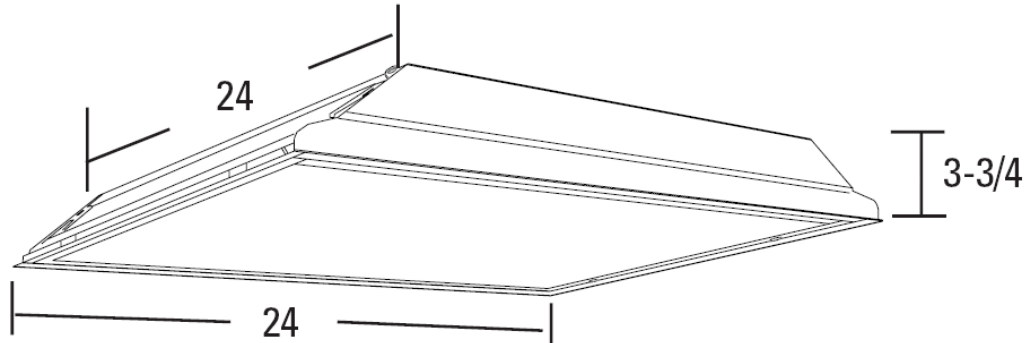
**GENERAL SPECIFICATIONS**

| PARAMETER         | CONDITIONS                          | MIN | NOM  | MAX | UNITS |
|-------------------|-------------------------------------|-----|------|-----|-------|
| Construction      | Cold Rolled Steel                   |     |      |     |       |
| Finish            | Baked Enamel                        |     |      |     |       |
| Size              | L24" X W24" X H3-3/4"               |     |      |     |       |
| Weight            |                                     |     | 13.5 |     | lbs   |
| Isolation         | Fully Isolated                      |     |      |     |       |
| Cooling           | Free Air Convection                 |     |      |     |       |
| Safety Compliance | UL 1310 Class II, UL 1598 Compliant |     |      |     |       |
| EMI Compliance    | EN55022 (CISPR22) Class B           |     |      |     |       |
| Lumen Maintenance | >60,000hrs                          |     |      |     |       |

**ENVIRONMENTAL SPECIFICATIONS**

| PARAMETER             | CONDITIONS   | MIN | NOM | MAX | UNITS |
|-----------------------|--|-----|-----|-----|-------|
| Operating Temperature | Maximum ambient temperature during full load oper. | -20 |     | +55 | °C    |
| Storage Temperature   |  | -40 |     | +80 | °C    |
| Humidity              | Non-Condensing                                     | 10  |     | 90  | %     |

Note: All specifications subject to change without notice.





**IES INDOOR REPORT**  
**PHOTOMETRIC FILENAME : 6010-67-24-090-55 00.IES**

**DESCRIPTION INFORMATION (From Photometric File)**

IESNA:LM-63-1995  
 [DATE]05-25-2009 11:55:49  
 [TEST]LightTools Version LightTools 6.2.0  
 [LUMINAIRE]6010-67-24-90-55

**CHARACTERISTICS**

|                                 |               |
|---------------------------------|---------------|
| Total Rated Lamp Lumens         | 4899.07421875 |
| Total Luminaire Efficiency      | 100.1 %       |
| Luminaire Efficacy Rating (LER) | 4902          |
| Total Luminaire Watts           | 1             |
| Ballast Factor                  | 1.00          |
| CIE Type                        | Direct        |
| Spacing Criteria (0-180)        | 1.28          |
| Spacing Criteria (90-270)       | 1.34          |
| Spacing Criteria (Diagonal)     | 1.38          |
| Basic Luminous Shape            | Point         |
| Luminous Length (0-180)         | 0.00 m        |
| Luminous Width (90-270)         | 0.00 m        |
| Luminous Height                 | 0.00 m        |

**ZONAL LUMEN SUMMARY**

| Zone                                | Lumens  | %Lamp | %Fixt | Zone    | Lumens  |
|-------------------------------------|---------|-------|-------|---------|---------|
| 0-30                                | 1523.16 | 31.1  | 31.1  | 0-10    | 154.83  |
| 0-40                                | 2653.99 | 54.2  | 54.1  | 10-20   | 614.81  |
| 0-60                                | 4294.72 | 87.7  | 87.6  | 20-30   | 753.52  |
| 0-90                                | 4895.55 | 99.9  | 99.9  | 30-40   | 1130.83 |
| 90-120                              | 3       | .1    | .1    | 40-50   | 843.2   |
| 90-130                              | 3.95    | .1    | .1    | 50-60   | 797.53  |
| 90-150                              | 5.31    | .1    | .1    | 60-70   | 395.46  |
| 90-180                              | 6.44    | .1    | .1    | 70-80   | 185.64  |
| 0-180                               | 4901.99 | 100.1 | 100   | 80-90   | 19.73   |
| Total Luminaire Efficiency = 100.1% |         |       |       | 90-100  | .94     |
|                                     |         |       |       | 100-110 | 1.2     |
|                                     |         |       |       | 110-120 | .86     |
|                                     |         |       |       | 120-130 | .95     |
|                                     |         |       |       | 130-140 | .63     |
|                                     |         |       |       | 140-150 | .73     |
|                                     |         |       |       | 150-160 | .56     |
|                                     |         |       |       | 160-170 | .39     |
|                                     |         |       |       | 170-180 | .19     |



**IES INDOOR REPORT**  
**PHOTOMETRIC FILENAME : 6010-67-24-090-55 00.IES**

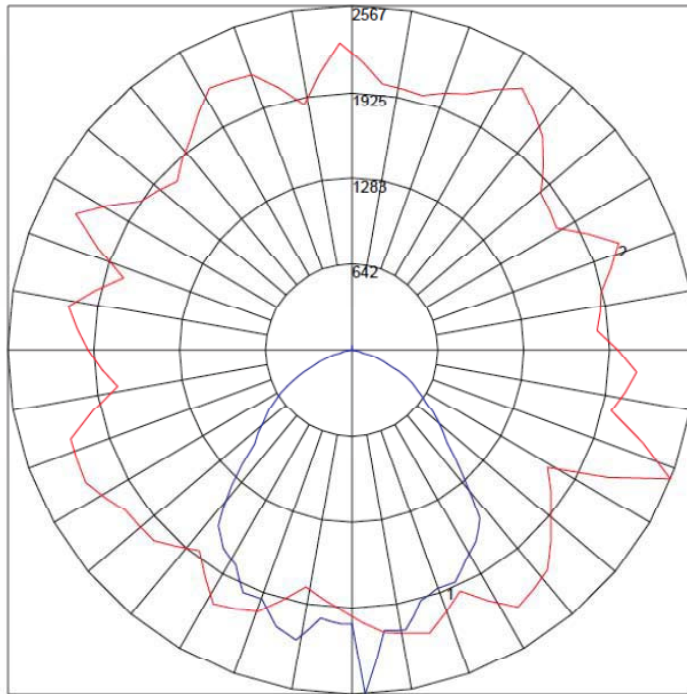
**COEFFICIENTS OF UTILIZATION - ZONAL CAVITY METHOD**

Effective Floor Cavity Reflectance 0.20

| RC | 80  |     |     |     | 70  |     |     |     | 50  |     |     | 30  |     |     | 10  |     |     | 0   |     |     |
|----|-----|-----|-----|-----|-----|-----|-----|-----|-----|-----|-----|-----|-----|-----|-----|-----|-----|-----|-----|-----|
|    | RW  | 70  | 50  | 30  | 10  | 70  | 50  | 30  | 10  | 50  | 30  | 10  | 50  | 30  | 10  | 50  | 30  | 10  | 0   |     |
| 0  | 119 | 119 | 119 | 119 | 119 | 116 | 116 | 116 | 116 | 111 | 111 | 111 | 111 | 106 | 106 | 106 | 102 | 102 | 102 | 100 |
| 1  | 110 | 106 | 103 | 99  |     | 108 | 104 | 101 | 98  | 100 | 97  | 94  |     | 96  | 94  | 92  | 92  | 91  | 89  | 87  |
| 2  | 101 | 94  | 88  | 83  |     | 99  | 92  | 87  | 82  | 89  | 84  | 80  |     | 85  | 82  | 78  | 82  | 79  | 76  | 74  |
| 3  | 93  | 83  | 76  | 70  |     | 91  | 82  | 75  | 69  | 79  | 73  | 68  |     | 76  | 71  | 67  | 74  | 70  | 66  | 64  |
| 4  | 86  | 75  | 66  | 60  |     | 83  | 73  | 66  | 60  | 71  | 64  | 59  |     | 69  | 63  | 58  | 66  | 61  | 57  | 55  |
| 5  | 79  | 67  | 59  | 52  |     | 77  | 66  | 58  | 52  | 64  | 57  | 52  |     | 62  | 56  | 51  | 60  | 55  | 50  | 48  |
| 6  | 73  | 61  | 52  | 46  |     | 71  | 60  | 52  | 46  | 58  | 51  | 45  |     | 56  | 50  | 45  | 55  | 49  | 45  | 43  |
| 7  | 68  | 55  | 47  | 41  |     | 66  | 54  | 46  | 41  | 53  | 46  | 40  |     | 51  | 45  | 40  | 50  | 44  | 40  | 38  |
| 8  | 63  | 50  | 42  | 37  |     | 62  | 50  | 42  | 36  | 48  | 41  | 36  |     | 47  | 41  | 36  | 46  | 40  | 36  | 34  |
| 9  | 59  | 46  | 38  | 33  |     | 58  | 46  | 38  | 33  | 45  | 38  | 33  |     | 43  | 37  | 33  | 42  | 37  | 32  | 31  |
| 10 | 56  | 43  | 35  | 30  |     | 54  | 42  | 35  | 30  | 41  | 34  | 30  |     | 40  | 34  | 30  | 39  | 34  | 30  | 28  |

LPCL Series

**POLAR GRAPH**



Maximum Candela = 2566.91 Located At Horizontal Angle = 338.0488, Vertical Angle = 2.195122  
 # 1 - Vertical Plane Through Horizontal Angles (338.0488 - 158.0488) (Through Max. Cd.)  
 # 2 - Horizontal Cone Through Vertical Angle (2.195122) (Through Max. Cd.)