



SLI's Low Power Commercial Luminaire is the first truly engineered commercial grade LED troffer designed to replace fluorescent fixtures of much higher wattage classes. The 48853 delivers evenly distributed horizontal and vertical foot-candles ideally suited for typical work spaces and utility areas. The fully integrated light engine and driver make the 48853 the most cost effective commercially viable solution available on the market today. The all steel housing and light engine thermal chassis ensures long LED life with extended lumen maintenance and virtually zero fixture maintenance. The 48853 housing, chassis, and lens are guaranteed for life.

#### FEATURES

- **> 60,000 Hour Lumen Maintenance**
- **High-Reliability LED Sources**
- **High-Reliability LED Drivers**
- **Exceptional Output Efficiency**
- **Rugged Construction**
- **Wide Operational Temperature**

#### SPECIFICATIONS

- **Universal Input Voltage (90 - 264 VAC)**
- **Total Input Power: 60 Watts**
- **Dimensions: 24" L X 24" W X 3-3/4" H**
- **Recessed Ceiling Mount**
- **20 Fc @ 8' on axis (90 degrees)**
- **53 Watts Output Power (4,800 lumens)**

#### BENEFITS

- **Zero Maintenance Required**
- **Low Cost of Ownership**
- **High Efficiency Light Output**
- **Fast & Easy Installation**
- **5 Year Limited Warranty on LEDs & Driver, Limited Lifetime Warranty on Housing & Lens**

#### CONTACT INFORMATION



Critical Applications: These products are not authorized for use in life saving or life support systems, equipment used in hazardous environments, or nuclear control systems without written consent. All specifications are subject to change without notice.

© 2008, 2009  illumination group

**INPUT SPECIFICATIONS**

PARAMETER	CONDITIONS	MIN	NOM	MAX	UNITS
Voltage	Continuous	90	120/240	264	VAC
Frequency		47	60	63	Hz
Current	Min at 240VAC, Max at 115VAC	1.37		2.15	A
Leakage Current	To GROUND at 240VAC		.97		mA
Connection	Flying Leads: Blue-Neutral, Brown-Line				
Input Power			60		W

**OUTPUT SPECIFICATIONS**

PARAMETER	CONDITIONS	MIN	NOM	MAX	UNITS
System Lumens	Total calculated based on configuration	4800	4560	4752	lm
Mean Lumens	Expected after thermal and optical losses	3888	4104	4277	lm
Output Power	Calculated at 350mA driver current	42.8	52.9	67	W

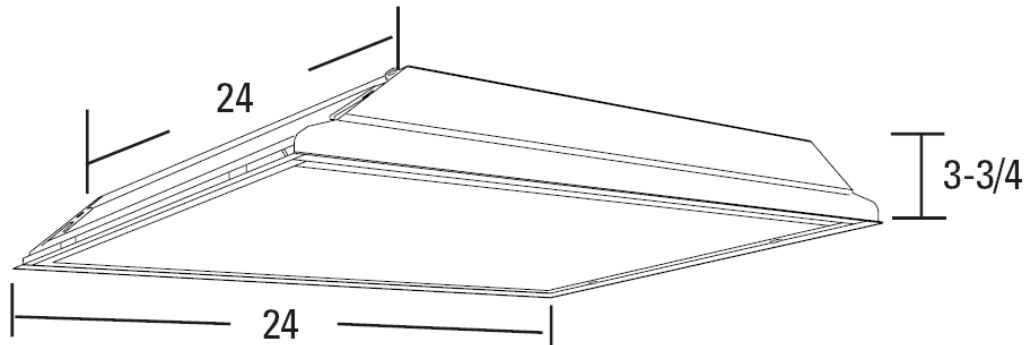
**GENERAL SPECIFICATIONS**

PARAMETER	CONDITIONS	MIN	NOM	MAX	UNITS
Construction	Cold Rolled Steel				
Finish	Baked Enamel				
Size	L24" X W24" X H3-3/4"				
Weight			12.75		lbs
Isolation	Fully Isolated				
Cooling	Free Air Convection				
Safety Compliance	UL 1310 Class II, UL 1598 Compliant				
EMI Compliance	EN55022 (CISPR22) Class B				
Lumen Maintenance	>60,000hrs				

**ENVIRONMENTAL SPECIFICATIONS**

PARAMETER	CONDITIONS	MIN	NOM	MAX	UNITS
Operating Temperature	Maximum ambient temperature during full load oper.	-20		+55	°C
Storage Temperature		-40		+80	°C
Humidity	Non-Condensing	10		90	%

Note: All specifications subject to change without notice.





48853-90

**IES INDOOR REPORT**  
**PHOTOMETRIC FILENAME : 488-53-24-090-55 00.IES**

**DESCRIPTION INFORMATION (From Photometric File)**

IESNA:LM-63-1995  
 [DATE]05-25-2009 11:23:13  
 [TEST]LightTools Version LightTools 6.2.0  
 [LUMINAIRE]488-53-24-090-55

**CHARACTERISTICS**

Total Rated Lamp Lumens	3919.25903320313
Total Luminaire Efficiency	100.1 %
Luminaire Efficacy Rating (LER)	3922
Total Luminaire Watts	1
Ballast Factor	1.00
CIE Type	Direct
Spacing Criteria (0-180)	1.28
Spacing Criteria (90-270)	1.34
Spacing Criteria (Diagonal)	1.38
Basic Luminous Shape	Point
Luminous Length (0-180)	0.00 m
Luminous Width (90-270)	0.00 m
Luminous Height	0.00 m

**ZONAL LUMEN SUMMARY**

Zone	Lumens	%Lamp	%Fixt	Zone	Lumens
0-30	1218.53	31.1	31.1	0-10	123.86
0-40	2123.19	54.2	54.1	10-20	491.85
0-60	3435.78	87.7	87.6	20-30	602.82
0-90	3916.44	99.9	99.9	30-40	904.66
90-120	2.4	.1	.1	40-50	674.56
90-130	3.16	.1	.1	50-60	638.02
90-150	4.24	.1	.1	60-70	316.37
90-180	5.15	.1	.1	70-80	148.52
0-180	3921.6	100.1	100	80-90	15.78
Total Luminaire Efficiency = 100.1%				90-100	.75
				100-110	.96
				110-120	.69
				120-130	.76
				130-140	.5
				140-150	.58
				150-160	.44
				160-170	.31
				170-180	.15

LPCL Series



**IES INDOOR REPORT**  
**PHOTOMETRIC FILENAME : 488-53-24-090-55 00.IES**

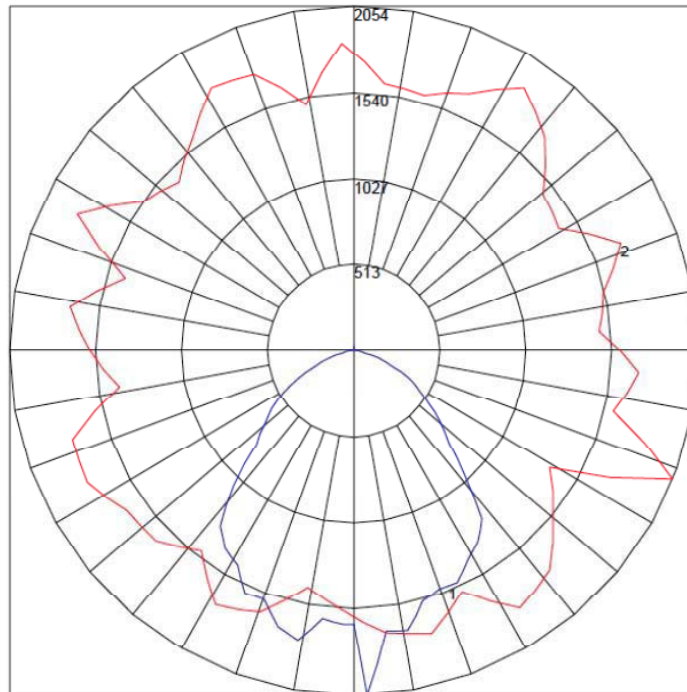
**COEFFICIENTS OF UTILIZATION - ZONAL CAVITY METHOD**

Effective Floor Cavity Reflectance 0.20

RC	80				70				50			30			10			0		
	RW	70	50	30	10	70	50	30	10	50	30	10	50	30	10	50	30	10	0	
0	119	119	119	119	119	116	116	116	116	111	111	111	111	106	106	106	102	102	102	100
1	110	106	103	99		108	104	101	98	100	97	94		96	94	92	92	91	89	87
2	101	94	88	83		99	92	87	82	89	84	80		85	82	78	82	79	76	74
3	93	83	76	70		91	82	75	69	79	73	68		76	71	67	74	70	66	64
4	86	75	66	60		83	73	66	60	71	64	59		69	63	58	66	61	57	55
5	79	67	59	52		77	66	58	52	64	57	52		62	56	51	60	55	50	48
6	73	61	52	46		71	60	52	46	58	51	45		56	50	45	55	49	45	43
7	68	55	47	41		66	54	46	41	53	46	40		51	45	40	50	44	40	38
8	63	50	42	37		62	50	42	36	48	41	36		47	41	36	46	40	36	34
9	59	46	38	33		58	46	38	33	45	38	33		43	37	33	42	37	32	31
10	56	43	35	30		54	42	35	30	41	34	30		40	34	30	39	34	30	28

LPC Series

**POLAR GRAPH**



Maximum Candela = 2053.53 Located At Horizontal Angle = 338.0488, Vertical Angle = 2.195122  
 # 1 - Vertical Plane Through Horizontal Angles (338.0488 - 158.0488) (Through Max. Cd.)  
 # 2 - Horizontal Cone Through Vertical Angle (2.195122) (Through Max. Cd.)