



36640-100



SLI's Low Power Commercial Luminaire is the first truly engineered commercial grade LED troffer designed to replace fluorescent fixtures of much higher wattage classes. The 36640 delivers evenly distributed horizontal and vertical foot-candles ideally suited for typical work spaces and utility areas. The fully integrated light engine and driver make the 36640 the most cost effective commercially viable solution available on the market today. The all steel housing and light engine thermal chassis ensures long LED life with extended lumen maintenance and virtually zero fixture maintenance. The 36640 housing, chassis, and lens are guaranteed for life.

FEATURES

- > 60,000 Hour Lumen Maintenance
- High-Reliability LED Sources
- High-Reliability LED Drivers
- Exceptional Output Efficiency
- Rugged Construction
- Wide Operational Temperature

SPECIFICATIONS

- Universal Input Voltage (90 - 264 VAC)
- Total Input Power: 45 Watts
- Dimensions: 24" L X 24" W X 3-3/4" H
- Recessed Ceiling Mount
- 17 Fc @ 8' on axis (90 degrees)
- 40 Watts Output Power (3,960 lumens)

BENEFITS

- Zero Maintenance Required
- Low Cost of Ownership
- High Efficiency Light Output
- Fast & Easy Installation
- 5 Year Limited Warranty on LEDs & Driver, Limited Lifetime Warranty on Housing & Lens

CONTACT INFORMATION



Critical Applications: Dynazign products are not authorized for use in life saving or life support systems, equipment used in hazardous environments, or nuclear control systems without the written consent of an officer of Dynazign, Inc.

All specifications are subject to change without notice.

INPUT SPECIFICATIONS

PARAMETER	CONDITIONS	MIN	NOM	MAX	UNITS
Voltage	Continuous	90	120/240	264	VAC
Frequency		47		63	Hz
Current	Min at 240VAC, Max at 115VAC	1.05		1.65	A
Leakage Current	To GROUND at 240VAC		.75		mA
Connection	Flying Leads: Blue-Neutral, Brown-Line				
Input Power			45		W

OUTPUT SPECIFICATIONS

PARAMETER	CONDITIONS	MIN	NOM	MAX	UNITS
System Lumens	Total calculated based on configuration	3960	3780	4284	lm
Mean Lumens	Expected after thermal and optical losses	3240	3402	3208	lm
Output Power	Calculated at 350mA driver current	32.1	39.7	50.3	W

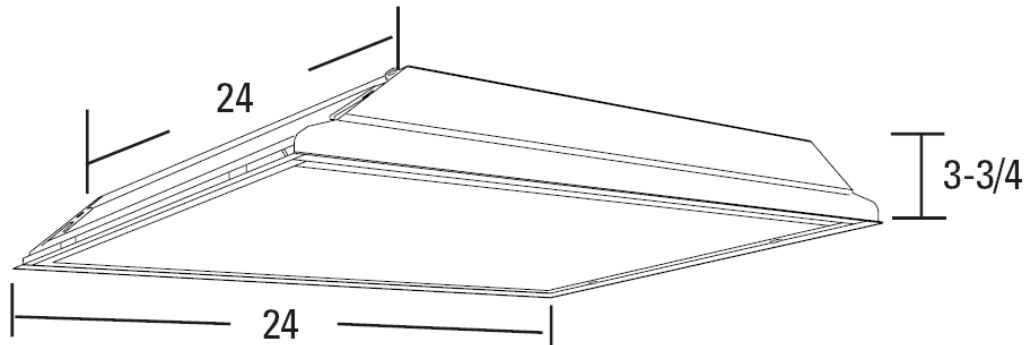
GENERAL SPECIFICATIONS

PARAMETER	CONDITIONS	MIN	NOM	MAX	UNITS
Construction	Cold Rolled Steel				
Finish	Baked Enamel				
Size	L24" X W24" X H3-3/4"				
Weight			12		lbs
Isolation	Fully Isolated				
Cooling	Free Air Convection				
Safety Compliance	UL1310 Class II, UL1598 Compliant				
EMI Compliance	EN55022 (CISPR22) Class B				
Lumen Maintenance	>60,000hrs				

ENVIRONMENTAL SPECIFICATIONS

PARAMETER	CONDITIONS	MIN	NOM	MAX	UNITS
Operating Temperature	Maximum ambient temperature during full load oper.	-20		+55	°C
Storage Temperature		-40		+80	°C
Humidity	Non-Condensing	10		90	%

Note: All specifications subject to change without notice.





**IES INDOOR REPORT
PHOTOMETRIC FILENAME : 366-40-24-100-55 00.IES**

DESCRIPTION INFORMATION (From Photometric File)

IESNA:LM-63-1995
 [DATE]05-25-2009 10:49:44
 [TEST]LightTools Version LightTools 6.2.0
 [LUMINAIRE]366-40-24-100-55

CHARACTERISTICS

Total Rated Lamp Lumens	3266.04907226563
Total Luminaire Efficiency	100.1 %
Luminaire Efficacy Rating (LER)	3268
Total Luminaire Watts	1
Ballast Factor	1.00
CIE Type	Direct
Spacing Criteria (0-180)	1.28
Spacing Criteria (90-270)	1.34
Spacing Criteria (Diagonal)	1.38
Basic Luminous Shape	Point
Luminous Length (0-180)	0.00 m
Luminous Width (90-270)	0.00 m
Luminous Height	0.00 m

ZONAL LUMEN SUMMARY

Zone	Lumens	%Lamp	%Fixt	Zone	Lumens
0-30	1015.44	31.1	31.1	0-10	103.22
0-40	1769.33	54.2	54.1	10-20	409.88
0-60	2863.15	87.7	87.6	20-30	502.35
0-90	3263.7	99.9	99.9	30-40	753.89
90-120	2	.1	.1	40-50	562.14
90-130	2.63	.1	.1	50-60	531.68
90-150	3.54	.1	.1	60-70	263.64
90-180	4.29	.1	.1	70-80	123.76
0-180	3268	100.1	100	80-90	13.15
				90-100	.63
				100-110	.8
				110-120	.57
				120-130	.64
				130-140	.42
				140-150	.49
				150-160	.37
				160-170	.26
				170-180	.12

36640-100



IES INDOOR REPORT
PHOTOMETRIC FILENAME : 366-40-24-100-55 00.IES

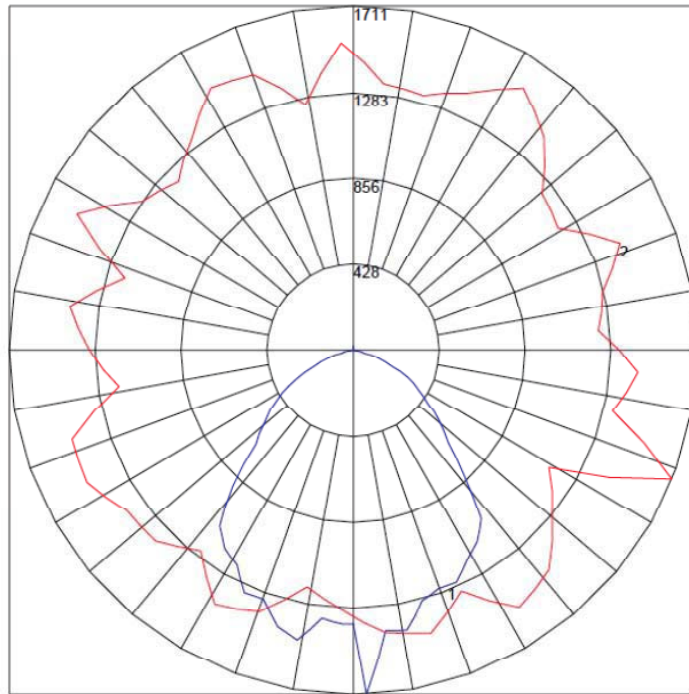
COEFFICIENTS OF UTILIZATION - ZONAL CAVITY METHOD

Effective Floor Cavity Reflectance 0.20

RC	80				70				50			30			10			0		
	RW	70	50	30	10	70	50	30	10	50	30	10	50	30	10	50	30	10	0	
0	119	119	119	119	119	116	116	116	116	111	111	111	111	106	106	106	102	102	102	100
1	110	106	103	99		108	104	101	98	100	97	94	96	94	92	92	91	89	87	87
2	101	94	88	83		99	92	87	82	89	84	80	85	82	78	82	79	76	74	74
3	93	83	76	70		91	82	75	69	79	73	68	76	71	67	74	70	66	64	64
4	86	75	66	60		83	73	66	60	71	64	59	69	63	58	66	61	57	55	55
5	79	67	59	52		77	66	58	52	64	57	52	62	56	51	60	55	50	48	48
6	73	61	52	46		71	60	52	46	58	51	45	56	50	45	55	49	45	43	43
7	68	55	47	41		66	54	46	41	53	46	40	51	45	40	50	44	40	38	38
8	63	50	42	37		62	50	42	36	48	41	36	47	41	36	46	40	36	34	34
9	59	46	38	33		58	46	38	33	45	38	33	43	37	33	42	37	32	31	31
10	56	43	35	30		54	42	35	30	41	34	30	40	34	30	39	34	30	28	28

LPC Series

POLAR GRAPH



Maximum Candela = 1711.27 Located At Horizontal Angle = 338.0488, Vertical Angle = 2.195122
 # 1 - Vertical Plane Through Horizontal Angles (338.0488 - 158.0488) (Through Max. Cd.)
 # 2 - Horizontal Cone Through Vertical Angle (2.195122) (Through Max. Cd.)